



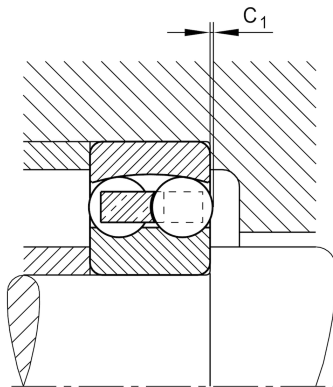
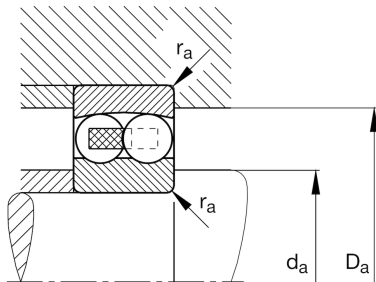
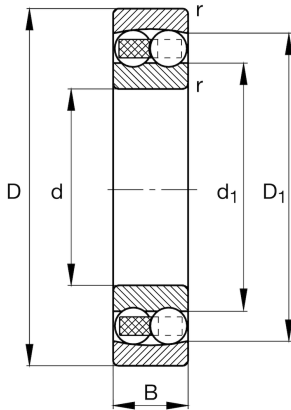
FAG

1320-M

Self-aligning ball bearing

Schaeffler ID:
0190058060000Self-aligning ball bearing 13..-M, solid
brass cage

Technical information

**Main Dimensions & Performance Data**

d	100 mm	Bore diameter
D	215 mm	Outside diameter
B	47 mm	Width
r_{\min}	3 mm	Minimum chamfer dimension
C_r	145.000 N	Basic dynamic load rating, radial
C_{0r}	57.000 N	Basic static load rating, radial
C_{ur}	2.900 N	Fatigue load limit, radial
n_G	4.700 1/min	Limiting speed
n_{gr}	3.850 1/min	Reference speed
	8,7 kg	Weight

Dimensions

D_1	181,3 mm	Shoulder diameter outer ring
d_1	135,9 mm	Shoulder diameter inner ring
C_1	2,4 mm	Overhang rolling element

Mounting dimensions

$d_{a \min}$	114 mm	Minimum diameter shaft shoulder
$D_{a \max}$	201 mm	Maximum diameter of housing shoulder
$r_{a \max}$	2,5 mm	Maximum fillet radius

Calculation factors

e	0,23	Limiting value of F_a/F_r for the applicability of diff. Values of factors X and Y
Y_1	2,68	Dynamic axial load factor
Y_2	4,15	Dynamic axial load factor
Y_0	2,81	Static axial load factor

Temperature range

T_{\min}	-30 °C	Operating temperature min.
T_{\max}	150 °C	Operating temperature max.